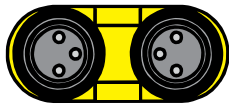
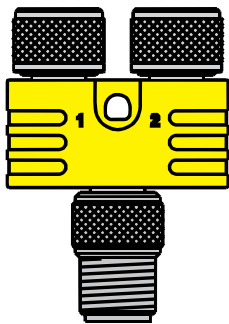


# Splitters

## M8 Picofast® 2-Branch Compact Splitters, Standard and LED Wiring

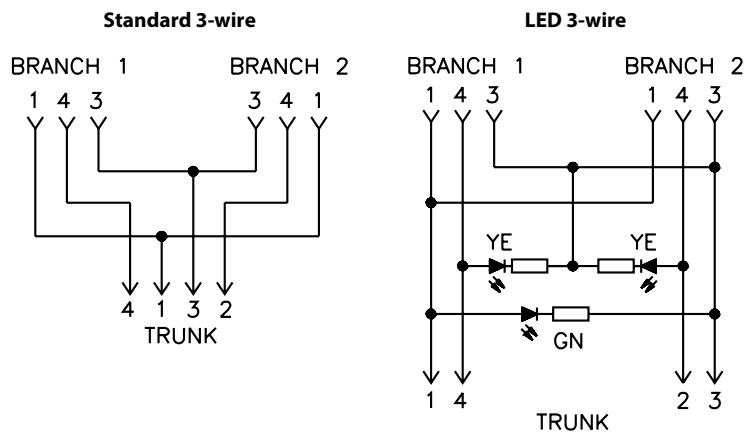
- Combine two Sensors into one Cable
- For use on Cylinders and other Dual-Input applications
- Tough TPU Construction
- IEC IP67 Protection



Housing	Part Number	Features	Wiring Diagram
	YP2-MFS 4/2MFK 3	125 V, 2 A, 2 Picofast branches, 3-wire & 1 Picofast trunk, 4-wire	Standard 3-wire
	YP2-PX2-MFS 4/2MFK 3	30 V, 2 A, 2 Picofast branches, 3-wire & 1 Picofast trunk, 4-wire, LEDs	LED 3-wire

We reserve the right to make technical alterations without prior notice.

### Wiring Diagrams

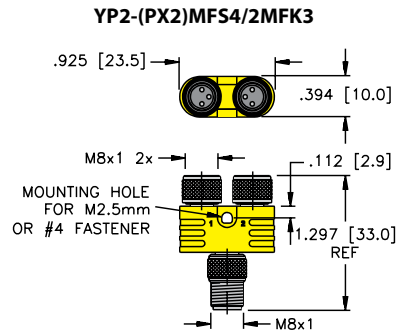


M8 Picofast® 2-Branch Compact Splitters, Standard and LED Wiring

Specifications

<b>Junction Body:</b>	Oil resistant yellow TPU	<b>Coupling Nuts:</b>	Nickel plated brass
<b>Connector:</b>	Oil resistant TPU body material, Nylon or TPU contact carrier	<b>Temperature:</b>	-30 °C to +80 °C (-22 °F to +176 °F)
<b>Contacts:</b>	Gold plated brass	<b>Protection:</b>	NEMA 1, 3, 4, 6P and IEC IP67

**Notes:** Mounting hole accepts #4 screw.



We reserve the right to make technical alterations without prior notice.

Pinouts

3-pin Picofast	4-pin Picofast
Female	Male

# Splitters

## M8 Picofast® 2-Branch Compact Splitters, Standard and Parallel Wiring

- Combine two Sensors into one Cable
- For use on Cylinders and other Dual-Input applications
- Tough TPU Construction
- IEC IP67 Protection

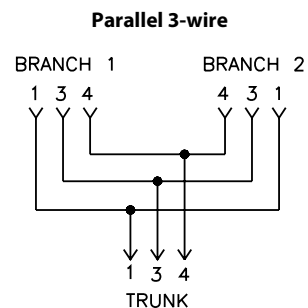
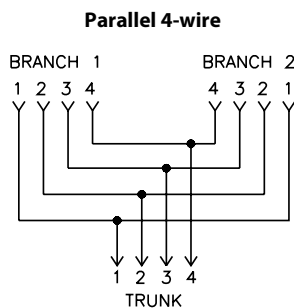
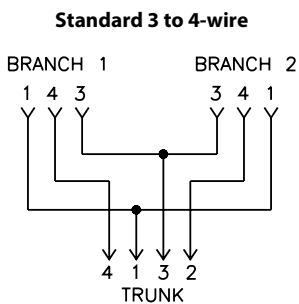


Housing	Part Number	Features	Wiring Diagram
	YP2-MFS3/2PKG3M-*/*/S651	125 V, 4 A, PKG 3M = Yellow PVC, 4.4 mm OD, 3x24 AWG, 2 Picofast branches, 3-wire & 1 Picofast trunk, 3-wire	Parallel 3-wire
	YP2-MFS4/2PKG3M-*/*	125 V, 2 A, PKG 3M = Yellow PVC, 4.4 mm OD, 3x24 AWG, 2 Picofast branches, 3-wire & 1 Picofast trunk, 4-wire	Standard 3 to 4-wire
	YP2-MFS4/2PKG4M-*/*/S651	125 V, 2 A, PKG 4M = Yellow PVC, 4.4 mm OD, 4x26 AWG, 2 Picofast branches, 4-wire & 1 Picofast trunk, 4-wire	Parallel 4-wire

\* Length in meters.

We reserve the right to make technical alterations without prior notice.

### Wiring Diagrams



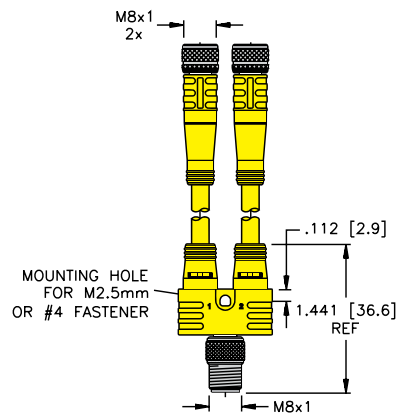
M8 Picofast® 2-Branch Compact Splitters, Standard and Parallel Wiring

Specifications

<b>Junction Body:</b>	Oil resistant yellow TPU	<b>Coupling Nuts:</b>	Nickel plated brass
<b>Connector:</b>	Oil resistant TPU body material, Nylon or TPU contact carrier	<b>Cable:</b>	See table
<b>Contacts:</b>	Gold plated brass	<b>Temperature:</b>	-40 °C to +105 °C (-40 °F to +221 °F)
		<b>Protection:</b>	NEMA 1, 3, 4, 6P and IEC IP67

- Cable Length:** Branches - nominal 0.3 meters. Other lengths available by request - consult factory.
- Cable Options:** Standard cable jacket - grey/yellow PVC. TPU and other jackets available by request - consult factory.
- Connector Options:** (for legs with cable)  
Stainless steel coupling nut add "V" to part number (PKG to PKGV, PSG to PSGV, RK to RKV).
- Notes:** Mounting hole accepts #4 screw.

YP2-MFS3(4)/2PKG3(4)M-\*/\*/(S651)



We reserve the right to make technical alterations without prior notice.

Splitters

Pinouts

3-Pin Picofast	4-pin Picofast	3-Pin Picofast	4-pin Picofast
Female		Male	

# Splitters

## M8 Picofast® 2-Branch Compact Splitters, Standard and Parallel Wiring

- Combine two Sensors into one Cable
- For use on Cylinders and other Dual-Input applications
- Tough TPU Construction
- IEC IP67 Protection



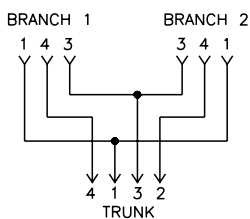
Housing	Part Number	Features	Wiring Diagram
	YP2-PSG3M-*/2PKG3M-*/S651	125 V, 4 A, PSG 3M & PKG3M = Yellow PVC, 4.4 mm OD, 3x24 AWG, 2 Picofast branches, 3-wire & 1 Picofast trunk, 3-wire	Parallel 3-wire
	YP2-PSG4M-*/2PKG3M-*/S651	125 V, 2 A, PSG 4M = Yellow PVC, 4.4 mm OD, 4x26 AWG, PKG3M = Yellow PVC, 4.4 mm OD, 3x24 AWG, 2 Picofast branches, 3-wire & 1 Picofast trunk, 4-wire	Standard 3 to 4-wire
	YP2-PSG4M-*/2PKG4M-*/S651	125 V, 2 A, PSG 4M & PKG4M = Yellow PVC, 4.4 mm OD, 4x26 AWG, 2 Picofast branches, 4-wire & 1 Picofast trunk, 4-wire	Parallel 4-wire
	YP2-PSG6M-*/2PKG6M-*/S651	125 V, 2 A, PSG 6M & PKG 6M = Yellow PVC, 4.5 mm OD, 6x26 AWG, 2 Picofast branches, 6-wire & 1 Picofast trunk, 6-wire	Parallel 6-wire

We reserve the right to make technical alterations without prior notice.

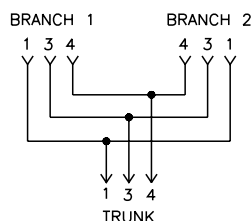
\* Length in meters.

### Wiring Diagrams

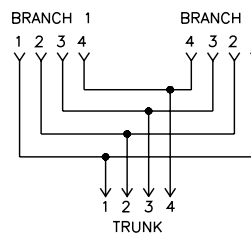
Standard, 3 to 4-wire



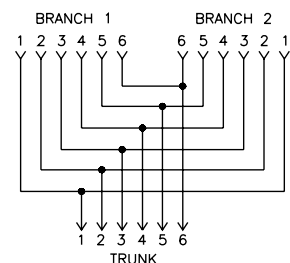
Parallel, 3-wire



Parallel, 4-wire



Parallel, 6-wire



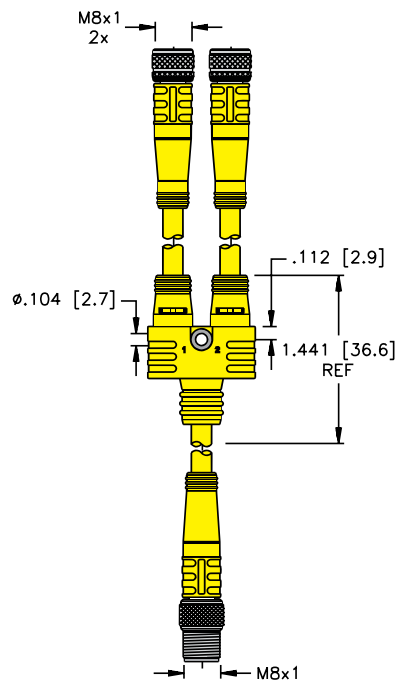
M8 Picofast® 2-Branch Compact Splitters, Standard and Parallel Wiring

Specifications

<b>Junction Body:</b>	Oil resistant yellow TPU	<b>Coupling Nuts:</b>	Nickel plated brass
<b>Connector:</b>	Oil resistant TPU body material, Nylon or TPU contact carrier	<b>Cable:</b>	See table
<b>Contacts:</b>	Gold plated brass	<b>Temperature:</b>	-40 °C to +105 °C (-40 °F to +221 °F)
		<b>Protection:</b>	NEMA 1, 3, 4, 6P and IEC IP67

**Cable Length:** Trunk - nominal 1 meter. Branches - nominal 0.3 meters. Other lengths available by request - consult factory.  
**Cable Options:** Standard cable jacket - grey/yellow PVC. TPU and other jackets available by request - consult factory.  
**Connector Options:** (for legs with cable) Stainless steel coupling nut add "V" to part number (PKG to PKGV, PSG to PSGV, RK to RKV).  
**Notes:** Mounting hole accepts #4 screw.

YP2-PSG3(4,6)M-\*/2PKG3(4,6)M-\*/\*(/S651)



We reserve the right to make technical alterations without prior notice.

Pinouts

3-pin Picofast	4-pin Picofast	6-pin Picofast	3-pin Picofast	4-pin Picofast	6-pin Picofast
Female			Male		

# Splitters

## M8 Picofast® 2-Branch Compact Splitters, Standard Wiring

- Combine two Sensors into one Cable
- For use on Cylinders and other Dual-Input applications
- Tough TPU Construction
- IEC IP67 Protection

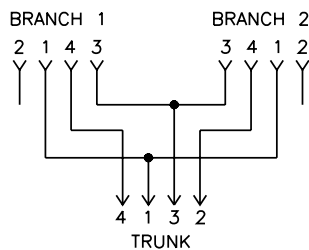


Housing	Part Number	Features	Wiring Diagram
	<p>YP2-PSG4M-*/2RK4T-*/*</p>	<p>125 V, 2 A, PSG 4M = Yellow PVC, 4.4 mm OD, 4x26 AWG, RK 4T = Grey PVC, 5.1 mm OD, 3x20 AWG, 2 Eurofast® branches, 4-wire &amp; 1 Picofast trunk, 4-wire</p>	<p>Standard</p>

We reserve the right to make technical alterations without prior notice.

\* Length in meters.

**Wiring Diagram**



## M8 Picofast® 2-Branch Compact Splitters, Standard Wiring

### Specifications

<b>Junction Body:</b>	Oil resistant yellow TPU	<b>Coupling Nuts:</b>	Nickel plated brass
<b>Connector:</b>	Oil resistant TPU body material, Nylon or TPU contact carrier	<b>Cable:</b>	See table
<b>Contacts:</b>	Gold plated brass	<b>Temperature:</b>	-40 °C to +105 °C (-40 °F to +221 °F)
		<b>Protection:</b>	NEMA 1, 3, 4, 6P and IEC IP67

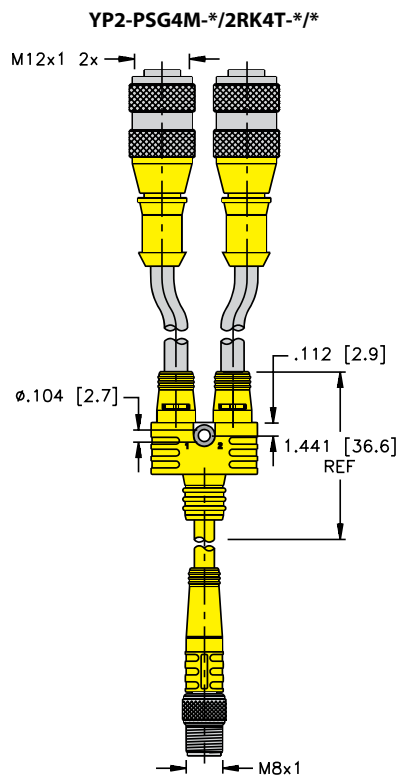
**Cable Length:** Trunk - nominal 1 meter. Branches - nominal 0.3 meters. Other lengths available by request - consult factory.

**Cable Options:** Standard cable jacket - grey/yellow PVC. TPU and other jackets available by request - consult factory.

**Connector Options:** (for legs with cable)

Stainless steel coupling nut add "V" to part number (PKG to PKGV, PSG to PSGV, RK to RKV).

**Notes:** Mounting hole accepts #4 screw.



We reserve the right to make technical alterations without prior notice.

### Pinouts

4-pin Eurofast®	4-pin Picofast
<b>Female</b>	<b>Male</b>